

8'-0" CEILING HEIGHT

8'-0" CEILING HEIGHT



FRONT ELEVATION

ACCESS TO GRADE ON-SITE BY OTHERS

246 SAND HILL ROAD
 SELINSGROVE, PA 17870
 PHONE: (570) 374-3280
 FAX: (570) 374-1122
 WWW.ICONLEGACY.COM



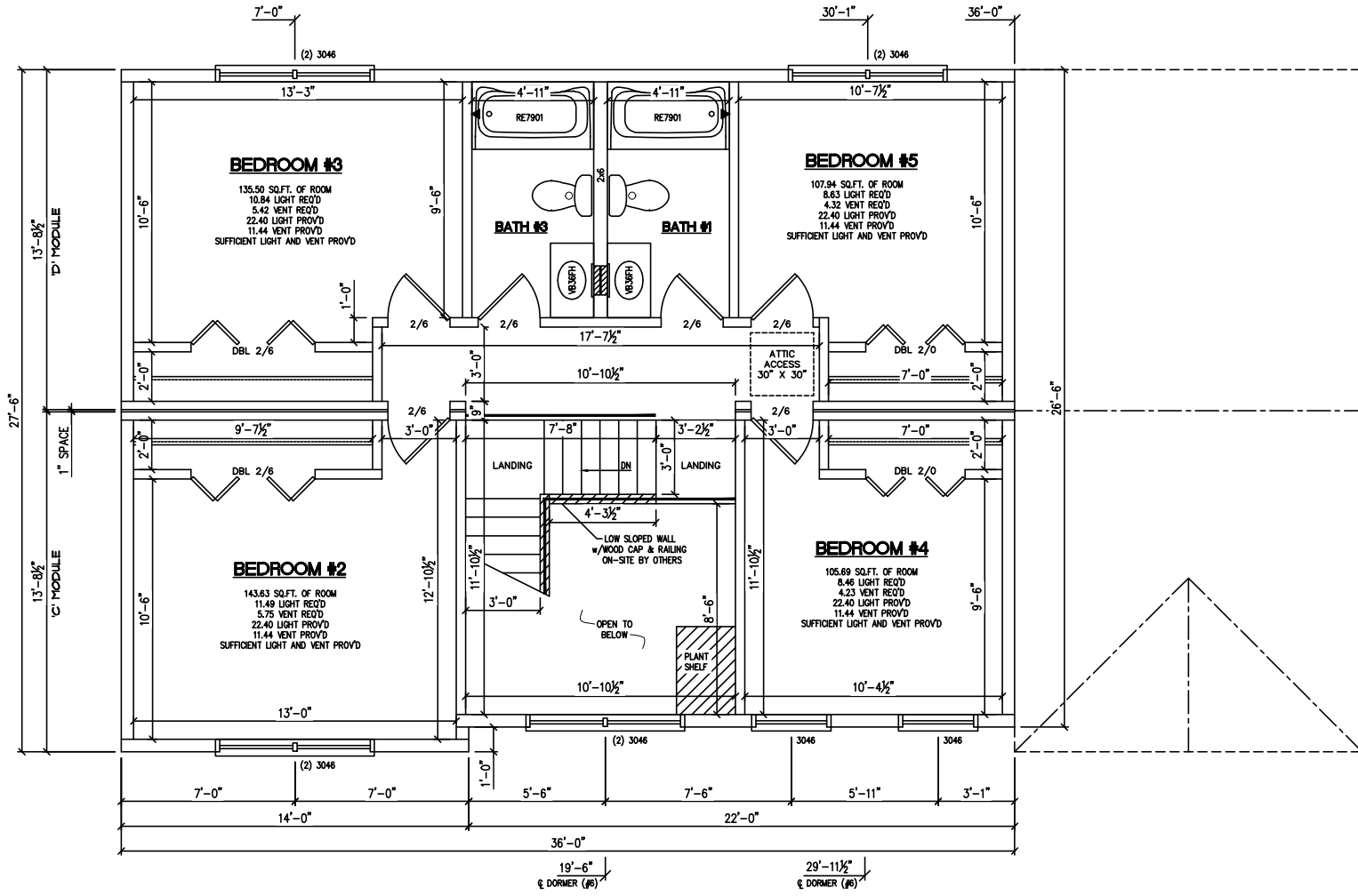
DATE	REVISION	BY

BUILDER	CUSTOMER/PROJECT	
ADDRESS	STATE	ZIP
CITY	SNOW LOAD (LBS)	WIND SPEED (MPH)
COUNTY	SOFT	TWO STORY
ORDER NO	2,321	FILE NO
SERIAL NO		ASHVILLE

FRONT ELEVATION

SERIAL # / ORDER #
 O#????

PAGE #
 2A



246 SAND HILL ROAD
SELENSGROVE, PA 17870
PHONE: (570) 374-3280
FAX: (570) 374-1122
WWW.ICONLEGACY.COM

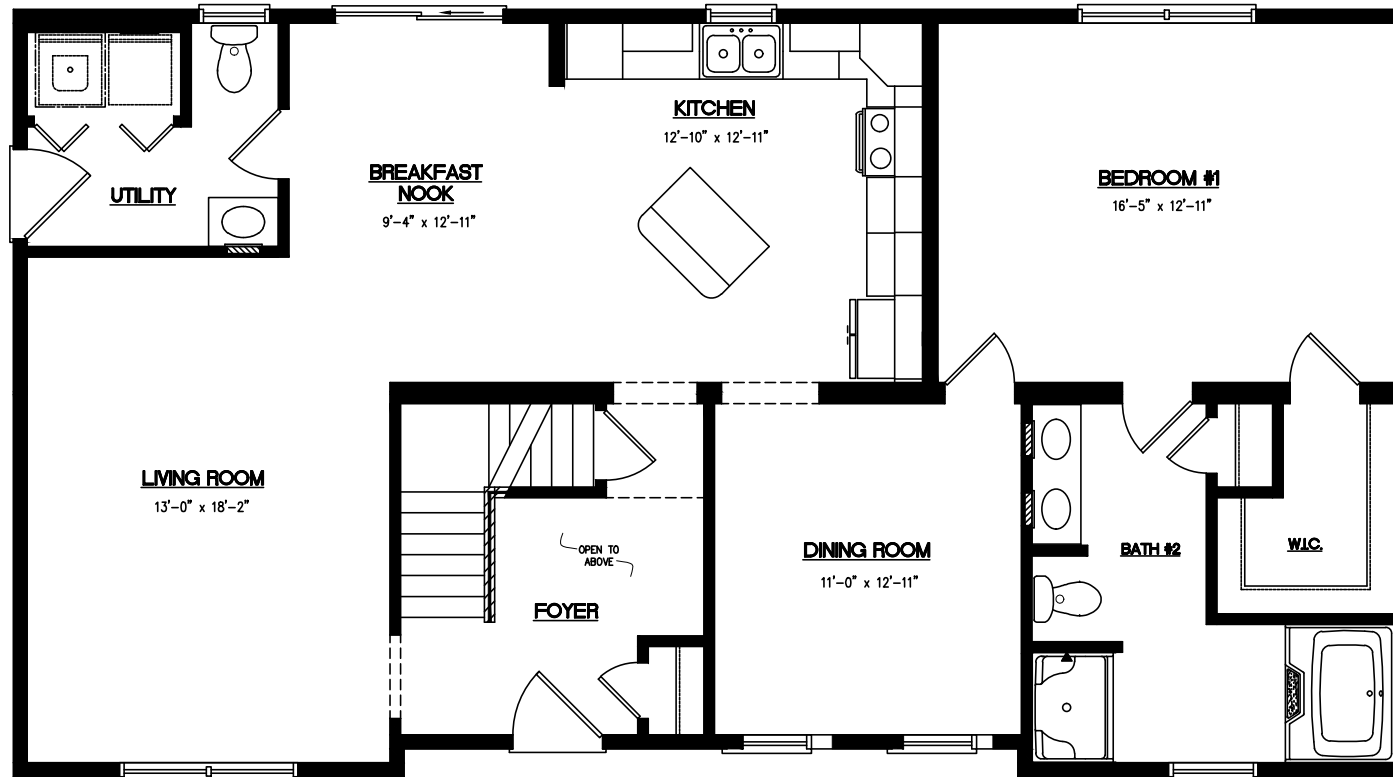


BUILDER	CUSTOMER/PROJECT	ADDRESS	CITY	STATE	ZIP	COUNTY	SNOW LOAD (LBS)	WIND SPEED (MPH)	ORDER NO	SERIAL NO	FLOOR PLAN
							2,321				TWO STORY
											ASHVILLE

2ND STORY FLOOR PLAN

SERIAL #/ ORDER #
O#????

PAGE #
3B



246 SAND HILL ROAD
 SELINS GROVE, PA 17870
 PHONE: (570) 374-3280
 FAX: (570) 374-1122
 WWW.ICONLEGACY.COM



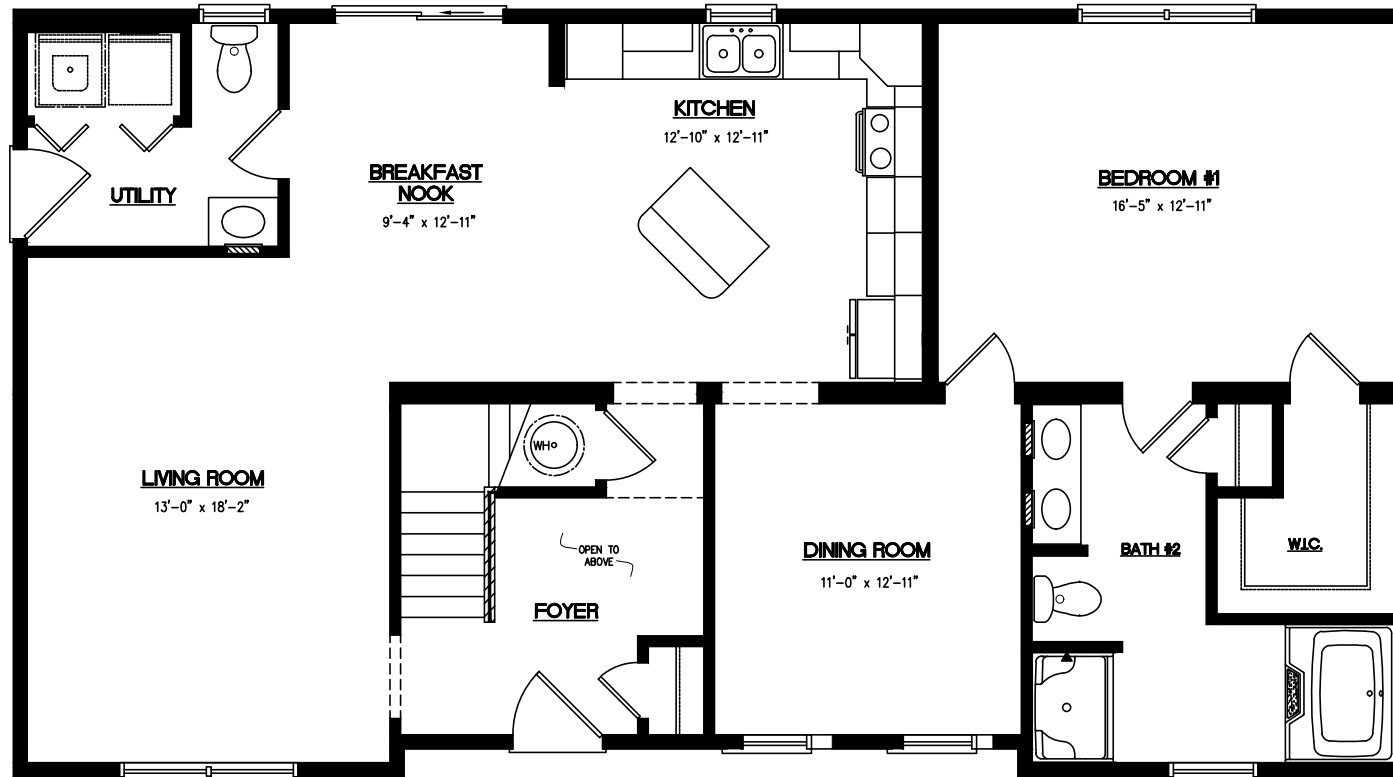
DATE	REVISION	BY

BUILDER	CUSTOMER/PROJECT
ADDRESS	
CITY	STATE
COUNTY	ZIP
ORDER NO	SNOW LOAD (LBS)
FILE NAME	WIND SPEED (MPH)
ASHVILLE	2,321
	THE TWO STORY

1ST STORY LITERATURE PLAN

SERIAL #/ ORDER #
 O#????

PAGE #



CRAWL SPACE OPTION

246 SAND HILL ROAD
 SELINGROVE, PA 17870
 PHONE: (570) 374-3280
 FAX: (570) 374-1122
 WWW.ICONLEGACY.COM



DATE	REVISION	BY

BUILDER	CUSTOMER/PROJECT
ADDRESS	
CITY	STATE
COUNTY	ZIP
ORDER NO	SNOW LOAD (LBS)
FILE NO	WIND SPEED (MPH)
ASHVILLE	SOFT
	2,321
	THE
	TWO STORY

1ST STORY LITERATURE PLAN

SERIAL #/ ORDER #
 O#????

PAGE #

